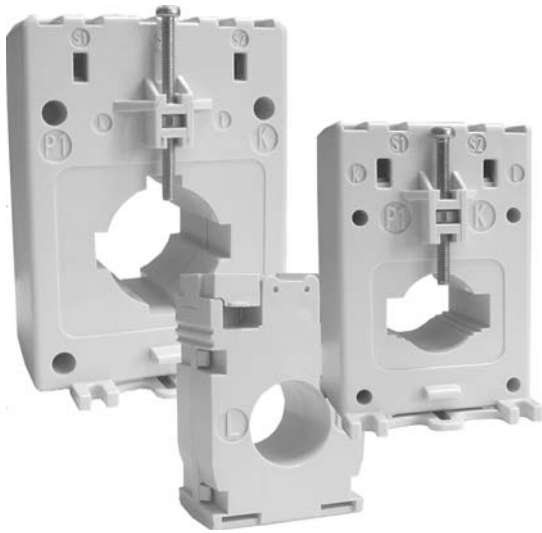


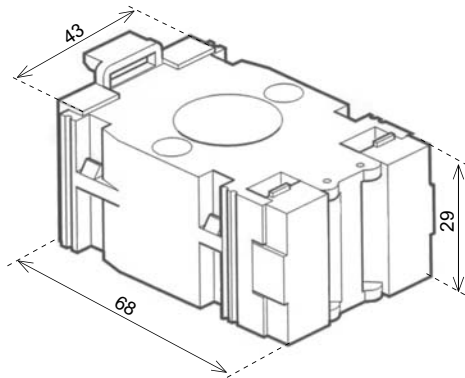
Current transformer SR - for Monitoring current relay PRI



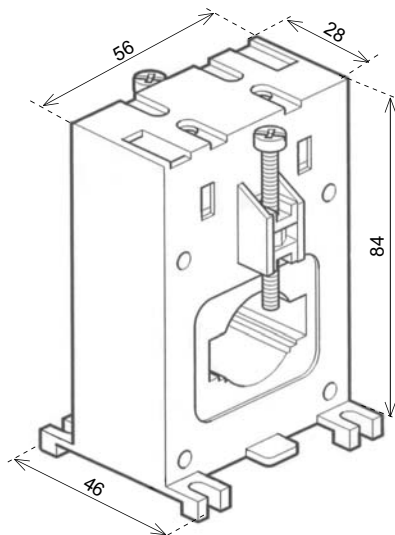
- accessory to monitoring relay PRI series, for extension of max. controlled current
- max. cable $\varnothing 35$ mm
- max. cable size:
 - solid conductor: max. 6 mm²
 - wire max. 4 mm²
- bus-bar to max. dimension 40x10 mm
- frequency: 50 - 60 Hz
- constant overload capacity: 1.2 x I_n
- output current: 0 - 5 A
- 1-phase, installable to panel or DIN rail

Technical parameters	SR051	SR101	SR151	SR200	SR250	SR300	SR400	SR600
Max. wire diameter:	$\varnothing 22$	$\varnothing 22$	$\varnothing 22$	$\varnothing 23$	$\varnothing 23$	$\varnothing 35$	$\varnothing 35$	$\varnothing 35$
Max. bus-bar profile:	—	—	—	30x10	30x10	40x10	40x10	40x10
Primary current (A):	50	100	150	200	250	300	400	600
	Rated capacity (VA):			Rated capacity (VA):		Rated capacity (VA):		
Accuracy class:								
0.5	—	2	3	4	6	4	8	12
1	1.25	2.5	4	7	9	8	12	15
3	1.5	3.5	5	8.5	11	12	15	15
Operating temperature:	-20 °C.. +55 °C			-20 °C.. +55 °C		-20 °C.. +55 °C		
Storage temperature:	-30 °C.. +70 °C			-30 °C.. +70 °C		-30 °C.. +70 °C		

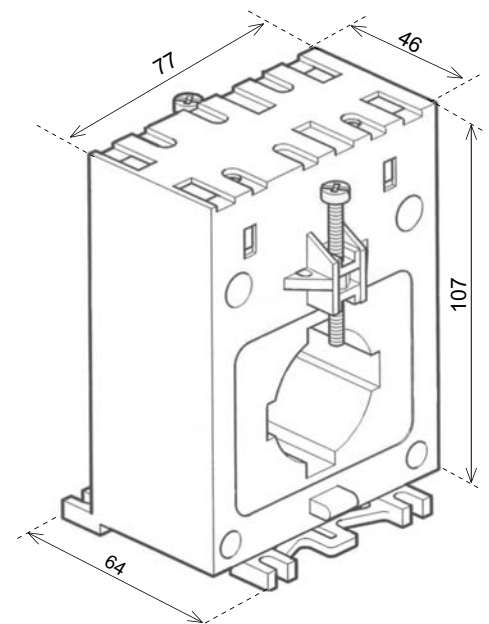
Dimensions



SR051; SR101; SR151



SR200; SR250



SR300; SR400; SR600